



MS86 Series

Ø86mm LED Steady & Flashing / Xenon Strobe Lights

- LED or Xenon lights
- Wide light distribution with prism-cut dome-shaped lens
- Selectable Steady, Flashing, or Rotating Modes by inner jumper
- PCB module style Xenon lamp
- Fast and easy replacement of lamp
- Fixed 80dB or Adjustable 10~100dB Sound



Ordering Information

MS86 **L-F** **02** - **R**
 ① ② ③

① Light Style	L-F	LED Steady & Flashing
	L-B	LED Steady & Falshing w/Buzzer
	S-S/S-N	Xenon Strobe
	T-R	High Intensity LED Steady, Flashing & Rotating
	T-B	High Intensity LED Steady, Flashing & Rotating w/Buzzer

② Power Supply	Xenon	00	12-24V AC/DC (S-S)
		10	110V AC (S-N)
		20	220V AC (S-N)
	LED	02	24V AC/DC
FF		90-240V AC	

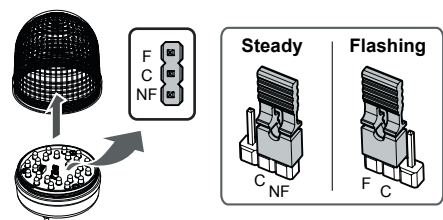
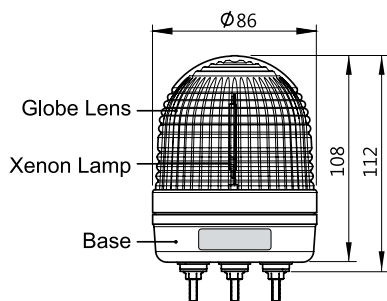
③ Lens Colors	R	Red
	Y	Yellow
	G	Green
	B	Blue
	C	Clear

Specifications

Model	MS86L		MS86S		MS86T		
Style	LED Steady/Flashing		Xenon Strobe		LED Steady/Flashing/Rotating		
			S-S	S-N			
Power Supply	24V AC/DC	90~240 VAC	12~24V AC/DC	110V AC 220V AC	12~24V AC/DC	90~240V AC	
Current Consumption	R	330mA	30mA ~ 50mA	78mA ~ 150mA	30mA	200~400mA	32~55mA
	Y	330mA				185~335mA	30~50mA
	G	460mA				170~300mA	30~50mA
	B	460mA				220~370mA	23~40mA
	C	460mA				160~275mA	27~45mA
	Buzzer	30mA				150mA	
Flash Rate	80 time/min ± 5		60 times/minute ± 3%		F1: 80 ±5 flashes/minute F3: Continuous 4 flashes - 80 ±5 flashes/minute		
Rotation Rate	N/A				Min 60~Max300rpm (clockwise)		
Buzzer Sound Level	max. 80dB		—		10-100 ±5dB at 1m		
Vibration	0.75mm at 10~55 Hz						
Insulation Resistance	100 MΩ minimum (500VDC mega)						
Ambient Temperature	-20~40°C						
Storage Temperature	-20~70°C						
Ambient Humidity	45~85% RH						
Degree of Protection	IP65						
Recommended Wire Size	MS86L: PUR Ø5/PVC Ø1.25 2P 0.3SQ, 300mm MS86S: UL 2464, 22 AWG X 2C, 300mm MS86T: UL1007/22AWG						
Weight	150g	300g	200g	170g			
Certificate/Compliance	RoHS, UL						

Dimensions

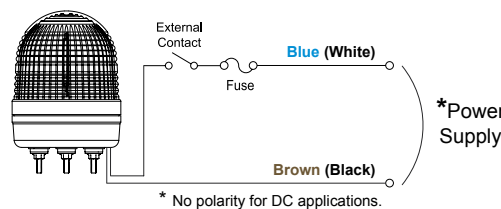
unit: mm



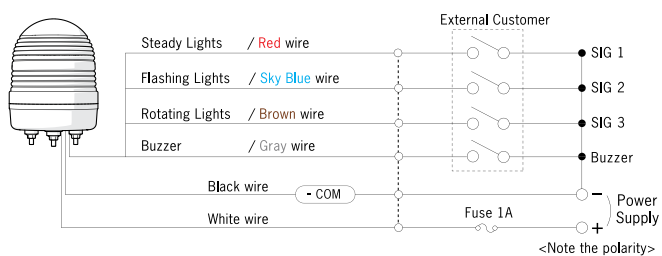
LED Light Steady/Flashing Selection

Wiring Diagram

MS86L/MS86S



MS86T





MS86M Series

Ø86mm 3 color in 1 LED Steady & Flashing Lights

- 3 color in 1 LED Modular Component
- High intensity LED
- Life duration up to 50,000 hrs
- Adjustable Sound level 10 ~ 100dB



BEACONS

Ordering Information

MS86M **F** **00** - **RYG**
 ① ② ③

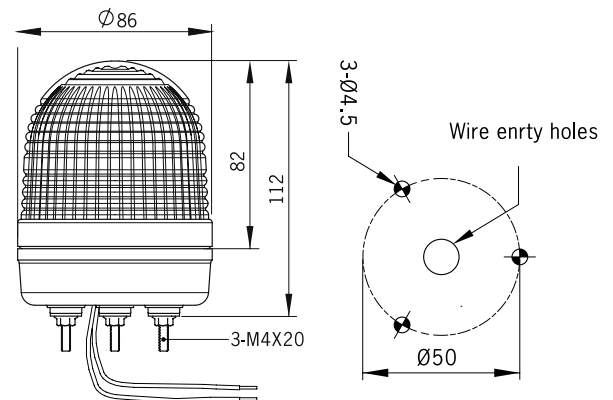
① Light Style	F	Steady & Flashing
	B	Steady & Flashing w/Buzzer
② Power Supply	00	12-24V AC/DC
	FF	90 ~240V AC
③ Colors	RYG	Red, Yellow and Green
	RGB	Red, Green and Blue

Specifications

Model	MS86M		
Style	LED Steady+Flashing w/Buzzer		
Power Supply	12~24V AC/DC	90~240VAC	
Current Consumption	RYG	400 ~ 600mA	30 ~ 80mA
	RGB	400 ~ 600mA	30 ~ 80mA
	BUZZER	150mA	
		Instantaneous inrush current: 300mA	
Flash Rate	F1: 80 ±5 flashes/minute F3: 240 ±5 flashes/minute		
Sound Level	10-100 ±5dB at 1m: Volume adjustable		
Vibration	15~55 Hz; xyz/60min (70m/s ² , 7G)		
Insulation Resistance	100 MΩ minimum (500VDC mega)		
Ambient Temperature	-20~40°C		
Storage Temperature	-40~70°C		
Ambient Humidity	45~85% RH		
Degree of Protection	IP65		
Recommended Wire Size	UL1007/22AWG		
Weight	150g		

Dimensions

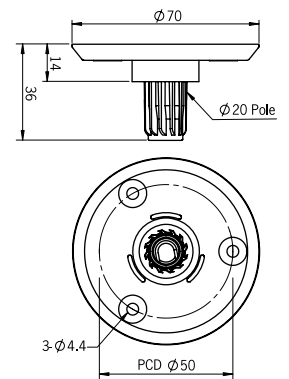
unit: mm



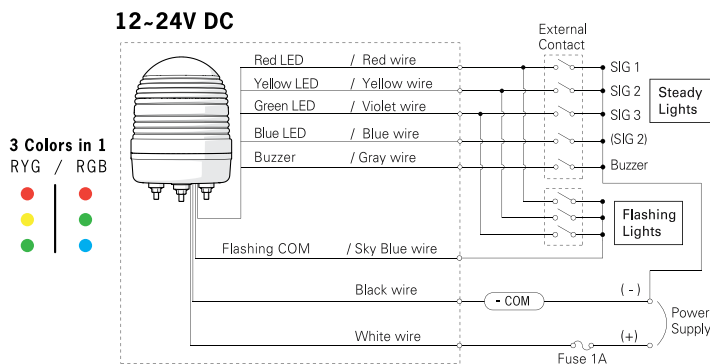
Power supply wire From wire exit 800mm

MS86 Pole Mounting Option

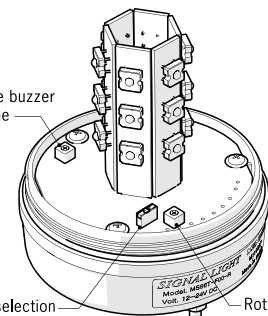
MAM-DS31 Dimensions



Wiring Diagram



Adjusting the buzzer sound volume



Function selection switch to flashing

Rotational speed control

See page B1 - B2 for mounting options and accessories



MS86W Series

Ø86mm LED Low-head Multi-Function indicator light

- 2 flashing patterns, Rotation, and continuous flashing
- Energy efficient: Low power consumption
- Main body: heat resistant ABS resin
- Good for both indoor or outdoor



Ordering Information

MS86W - **R** **00** - **R**
 ① ② ③

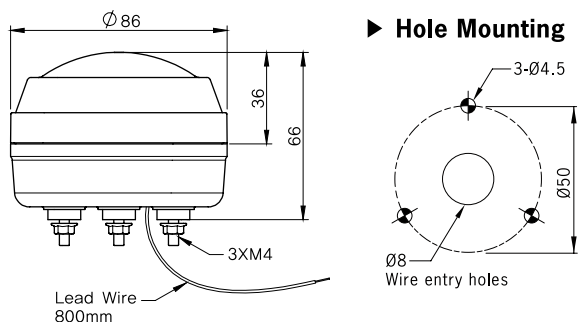
① Light	R	LED Steady + Flashing + Rotating
	B	LED Steady + Flashing + Rotating w/Buzzer (on 24V AC/DC only)
② Power	00	12-24V AC/DC
	FF	90-240V AC
③ Lens Colors	R	Red
	Y	Yellow
	G	Green
	B	Blue
	C	Clear

Specifications

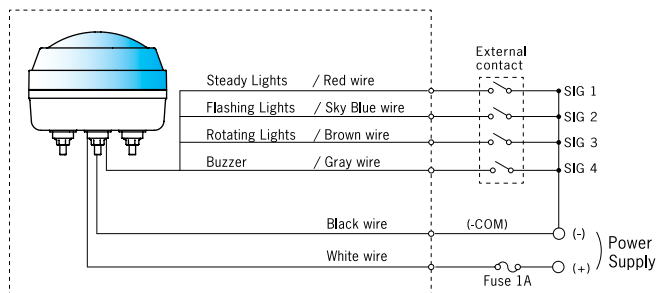
Model	MS86W	
Size	86mm diameter	
Input Voltate Options	12~24V AC/DC (±5%)	
Current Consumption	R	500mA
	Y	500mA
	G	305mA
	B	350mA
	C	375mA
	Buzzer	30mA
Flashing cycle	Approx. 80 ±10 flashes/minute	
Continuous Flashing	Approx. 320 ±10 flashes/minute	
Rotating cycle	Approx. 130 ±20 rpm (clockwise rotation)	
Sound Level	80 ±5dB at 1m	
Vibration	Operating extremes:10~55 Hz, amplitude 0.75mm	
Insulation Resistance	100 MΩ minimum (500VDC mega)	
Ambient Temperature	-15~40°C	
Storage Temperature	-20~70°C	
Ambient Humidity	45~85% RH	
Degree of Protection	IP65	
Recommended Wire Size	UL1007/22AWG	
Weight	170g	
Certificate/Compliance	RoHS, UL	

Dimensions

unit: mm



Wiring Diagram



Optional Parts

Wall Mount Brackets



MAM-DS30-BLK (Black)
MAM-DS30-BGE (Beige)



MAM-DS26

See page B1 - B2
for mounting options and accessories